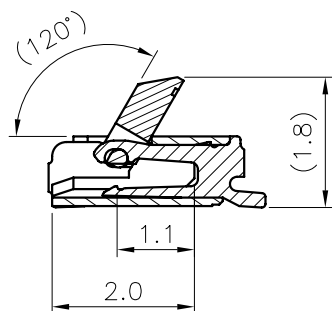
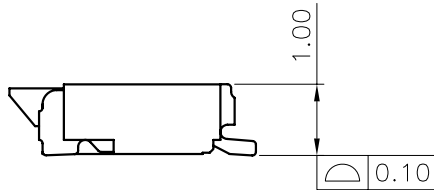
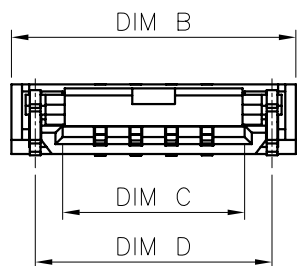
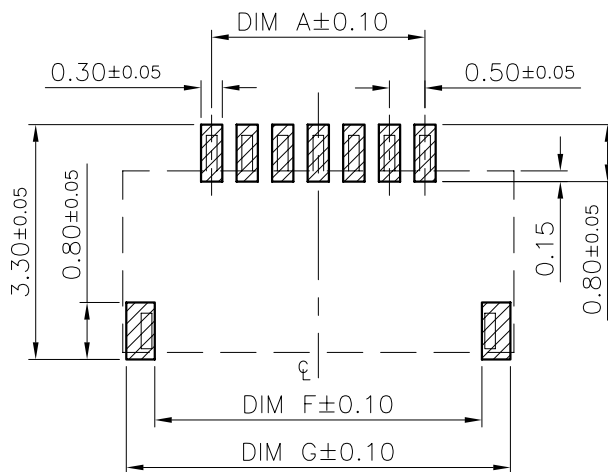


RECOMMENDED FPC/FFC DIMENSIONS  
GENERAL TOLERANCE ±0.05



ACTUATOR OPEN STATE



RECOMMENDED PCB LAYOUT  
GENERAL TOLERANCE ±0.05

NOTES:

- MATERIAL:
  - HOUSING: THERMOPLASTIC, HIGH TEMP., UL94V-0; COLOR:BLACK.
  - ACTUATOR: THERMOPLASTIC, HIGH TEMP., UL94V-0; COLOR:NATURAL.
  - CONTACT: COPPER ALLOY
  - FITTING NAIL: COPPER ALLOY
- FINISH:
  - CONTACT:
    - GOLD FLASH PLATING.
    - 50~100u" NICKEL UNDERPLATING OVERALL.
    - N:50~100u" NICKEL UNDERPLATING OVERALL.
    - 80~120u" MATT TIN PLATING (LEAD FREE).
  - FITTING NAIL:
    - 80~120u" MATT TIN PLATING (LEAD FREE).
    - 50~100u" NICKEL UNDERPLATING OVERALL.
- REFLOW SOLDER CAPABLE TO 260°C PER ACES SPEC.
- SPEC. PLS. REFER TO PS-51645-xxxxx-xxx
- PACKAGE PLS REFER TO PS-91506-xxxxx-TRP
- PART NUMBER

51645-XXX	X	X-XXX	XXX	HOUSING COLOR	ACTUATOR COLOR
NO OF CKT			001	BLACK	NATURAL
PACKING				PLATING	
0: TAPE & REEL				1: GOLD FLASH	
4: TAPE & REEL WITH MYLAR				N: MATT TIN	

CKT	DIM A	DIM B	DIM C	DIM D	DIM E	DIM F	DIM G	DIM H	DIM J	DIM K
04	1.50	4.00	2.57	3.33	2.50	3.10	3.90	3.0	3.0	2.5

一般公差 <b>TOLERANCES</b> X. ±0.50 XX ±0.15 X ±0.25 .XXX ±0.10 ANGLES ±2°		<b>宏致電子股份有限公司</b> Aces Electronics Co.,Ltd.	
檢驗尺寸標示 SYMBOLS Ⓢ Ⓣ INDICATE CLASSIFICATION DIMENSION Ⓢ MARK IS CRITICAL DIM. Ⓣ MARK IS MAJOR DIM.	品名 (TITLE) 0.5 PITCH FPC EASY ON TYPE H=0.98mm	製圖 (DR) 14'/08/04 審核 (CHKD) DAVID	BRAVE
	圖號 (DWG NO.) 51645-XXXXX-XXX	核准 (APPD) FRANK	
表面處理 (FINISH)	比例 (SCALE) 4:1	單位 (UNITS) mm	張數 (SHEET) 1 OF 1 尺寸 (SIZE) A4 版數 (REV) 0